

Mathematics

1) Solve simultaneously:

a) $x + y = 1$
 $x - y = 2$

b) $2x + 3y = 4$
 $5x + 2y = -2$

2) Calculate the perimeter and area of a rectangle of length 7.1m and breadth 4m

ICT

1a. Explain Computer professional.

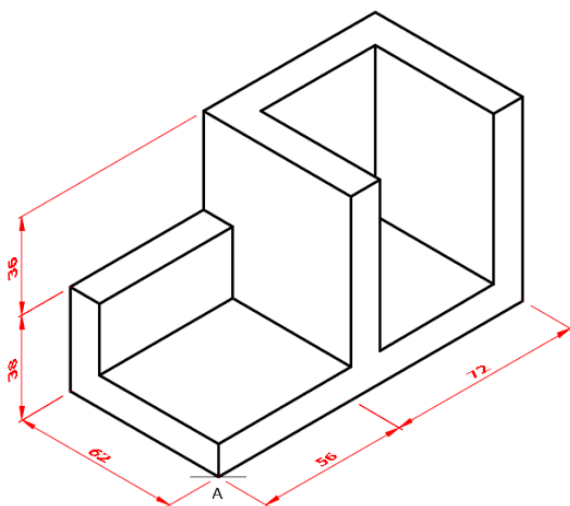
1b. State and explain four computer professional bodies

Home Economics

(1) Explain meal planning and mention five factors that influence meal planning.

(2) Explain the meal of a pregnant woman.

Basic Technology



CRS

- 1) State the resolutions of the Jerusalem Council (Acts 15)
- 2a) What is Impartiality?
- 2b) List 4 effects of partiality on the society

Basic Science

- 1) Define skill acquisition
- 2) List eight types of skill
- 3) State three importance of skill acquisition.

Agricultural Science

1. Define the following
 - i. Self employment
 - ii. Paid employment
2. Mention three self employment opportunities in agriculture
3. Mention three paid employment opportunities in agriculture

Fine Art

With the aid of a ruler and pencils, construct the letters A to Z

Drama and Theater UB3

Elaborate on the following terms

- I. Team Work
- II. Sense of Belonging

History

1. What is legitimate trade?
2. State three importance of legitimate trade

NATIONAL VALUES

- 1a. What is drug trafficking?
- 1b. State two reasons of trafficking in drugs.
2. What is democracy?

Basic Science

- 1) Define skill acquisition.
- 2) List eight types of skill.
- 3) State three importance of skill acquisition.

English Language

Read each of the following novel/plays and summarize

- 1) The Saint
- 2) The rejected Child
- 3) A Cry of the Innocent

Business Studies

1. What is balance sheet?
2. Outline three classification of balance sheet.
3. List three examples of fixed assets and current assets.